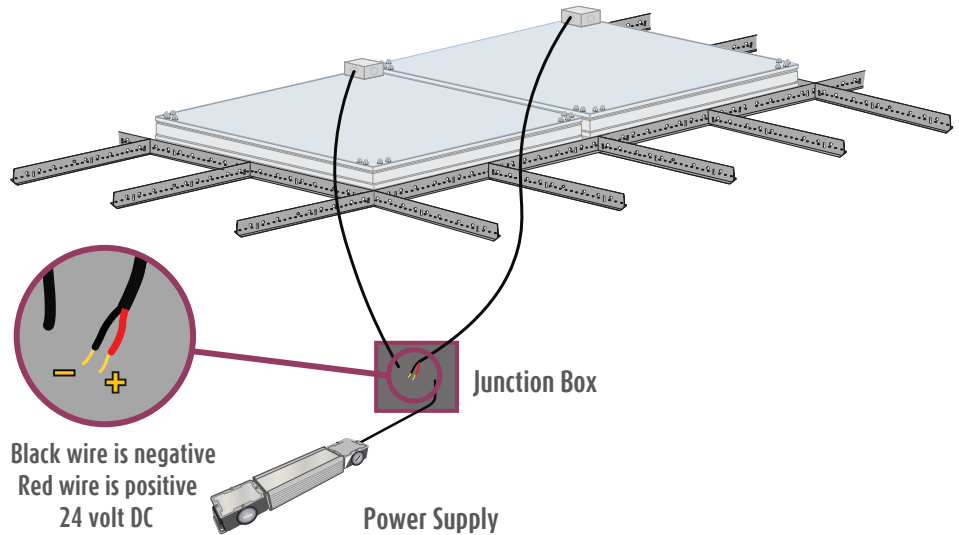


Revelation w/ EcoSlim Electrical Instructions (HLG)



Installation Instructions includes:

Revelation w/ EcoSlim Electrical Instructions (HLG)

Wiring Diagram EL001180 & EL001391

Wire Sizing Chart

Installation specific wiring diagram (where applicable)

For technical support at any time during the installation, please call us **toll free at 866-759-3228**.
We want your installation to go as smoothly as possible. Thank you for choosing Sky Factory.

Revelation w/ EcoSlim Electrical Requirements:

ES26 Series = ES26, ES26M, ES26G

ES33 Series = ES33, ES33M, ES33G

ES34 Series = ES34, ES34M, ES34G

ES36 Series = ES36, ES36M, ES36G

ES44 Series = ES44, ES44M, ES44G

ES46 Series = ES46, ES46M, ES46G

NOTE: For custom sizes, see installation specific wiring diagram included (where applicable)

All EcoSlim fixtures are 24V DC only.

EcoSlim fixtures must be powered only by provided UL Recognized, CE Compliant 24V DC power supply

Dry locations only.

For installations with multiple power supplies, see

installation specific wiring diagram included (where applicable)

For installations with one or more custom sizes, see

installation specific wiring diagram included (where applicable)

For dimming requirements, see page 5.

RF filter, if used, is not provided by the Sky Factory.

Electrical work must be performed by a qualified electrician who is familiar with DC lighting systems and must conform to all local and national codes.

Sky Factory provided external dimmable power supply:

Input (Typ) 90-305V, 47 - 63 Hz

Output 24V DC

UL (U.S. and Canada) Recognized and CE Compliant

Surface mountable

Sky Factory provided dimmer control (where specified)

Lutron Diva DVSTV 0 - 10V sliding dimmer/switch (UL & CSA compliant)

Input: auto-ranging 120 - 277V AC

Lutron Lyneo preset 0 - 10V sliding dimmer/switch and external relay (CE compliant):

Input: 220 - 240V AC

Helvar TK4 140 sliding dimmer/switch (CE compliant)

Input: 220 - 240V AC

Step 1: Wiring the Revelation fixtures to the power supply

See supporting drawing and chart on pages 6-8 and installation specific wiring diagram included (where applicable)

EcoSlim Lighting System - ES26 Series to ES46 Series					
TSF Model No.	Light Box Dimensions and Weight Only		System Wattage (Max)	Input Current @ 24 Volts DC	
	WxLxH	Weight			
ES26	22.8125 x 34.8125 x 3.72 (inches)		27.6 lb	57.1	2.38A
ES33	34.8125 x 34.8125 x 3.72 (inches)		20.8 lb	42.7	1.78A
ES34	34.8125 x 46.8125 x 3.72 (inches)		27.6 lb	52.6	2.19A
ES36	34.8125 x 70.8125 x 3.72 (inches)		40 lb	65.5	2.73A
ES44	46.8125 x 46.8125 x 3.72 (inches)		35.3 lb	59	2.46A
ES46	46.8125 x 70.8125 x 3.72 (inches)		47.5 lb	89.8	3.74A
ES26M	57 x 177 x 9.54 (cm)		12.6 kg	57.1	2.38A
ES33M	87 x 87 x 9.54 (cm)		9.5 kg	42.7	1.78A
ES34M	87 x 117 x 9.54 (cm)		12.6 kg	52.6	2.19A
ES36M	87 x 177 x 9.54 (cm)		18.1 kg	65.5	2.73A
ES44M	117 x 117 x 9.54 (cm)		16 kg	59	2.46A
ES46M	117 x 177 x 9.54 (cm)		21.1 kg	89.8	3.74A
ES26G	59.5 x 184.5 x 9.54 (cm)		12.6 kg	57.1	2.38A
ES33G	90.8 x 90.8 x 9.54 (cm)		9.5 kg	42.7	1.78A
ES34G	90.8 x 122 x 9.54 (cm)		12.6 kg	52.6	2.19A
ES36G	90.8 x 184.5 x 9.54 (cm)		18.1 kg	65.5	2.73A
ES44G	122 x 122 x 9.54 (cm)		16 kg	59	2.46A
ES46G	122 x 184.5 x 9.54 (cm)		22.4 kg	89.8	3.74A

NOTE: For custom sizes, see also installation specific wiring diagram included (where applicable)



Notice: The LED fixtures are 24V DC ONLY.

AC voltage connected directly to the fixtures will destroy the lighting system.

Step 1 continued

Fixtures are wired together in single or multiple circuits.

Each circuit is dedicated to a single power system and may be arranged in rows or clusters, depending on installation.

A junction box with 1/2" trade size knock-outs is attached on top corner of each fixture.

- Power leads inside fixture junction box are polarized, red (+) and black (-).
- Wire size 18 AWG stranded.

Wiring from fixtures to V DC side of provided power supply is polarized, positive (+) to positive (+) and negative (-) to negative (-):

EcoSlim fixture red "+" to power supply **Vo+**

EcoSlim fixture black "-" to power supply **Vo-**

For power supply V DC wire size, see EL001180

HLG-480H-24B and HLG-600H-24B have two sets of output leads. Meanwell recommends loading no more than:

240 Watts on each set of cables for HLG-480H-24B

480 Watts on each set of cables for HLG-600H-24B

Wire and additional junction boxes from fixtures to power supply provided by others.

Voltage drop will occur over long distances. For appropriate lengths and gauges, see Wire Sizing Chart.

Wire gauge must conform to local and national codes.

Step 2: Wiring the power supply to source V AC

Run power to V AC side of the power supply. For power supply V AC wire size, see EL001180 or EL001391

Load to power supply **ACL**

Neutral to power supply **ACN**

Ground to power supply  **(GREEN/YELLOW)**

Wire gauge must conform to local and national codes.

Install the power switch on the V AC input side of the power supply.

Step 3: Dimming requirements

Contact the Sky Factory if you plan on using a dimming system provided by others.



Notice: Dimming using non-approved systems may permanently damage LED's and will void the warranty!

Wiring a Sky Factory provided dimmer control:

To wire the 0-10V dimmer control (and external relay where specified), refer to wiring diagram included with dimmer and relay and EL001180 or EL001391.

Step 4: Checking the polarity



Notice: CHECK THE POLARITY BEFORE TURNING ON POWER. MAKE SURE:

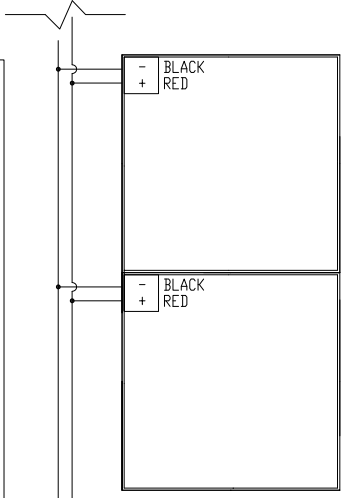
Red wires on the fixtures go to the "+" terminals of the power supply

Black wires on the fixtures go to the "-" terminals of the power supply

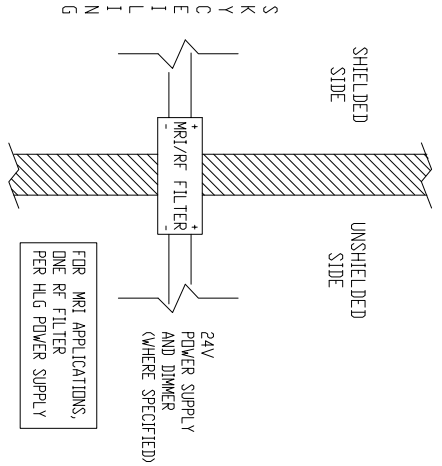
IF THE SYSTEM IS WIRED BACKWARD, IT WILL DESTROY THE LED'S!

EP AND ES SERIES FIXTURES
WITH HLG POWER SUPPLY
DIMMING OPTION

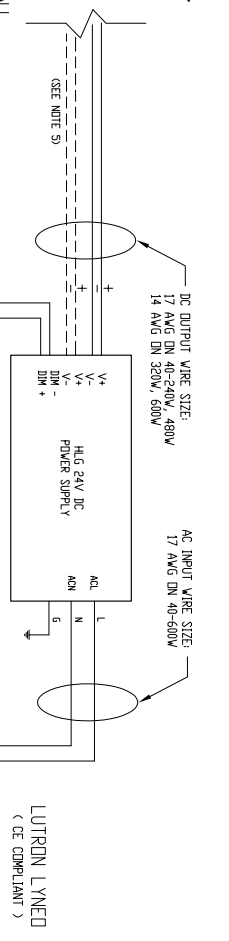
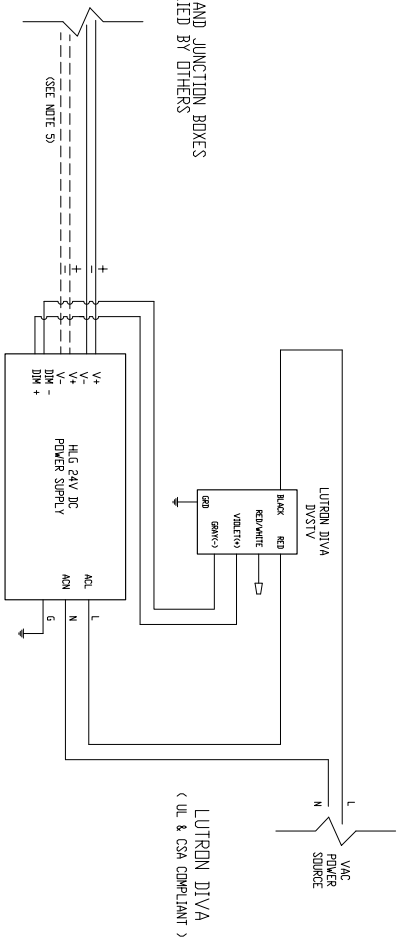
- ECOPULS
EP22 SERIES, EP24 SERIES,
EP26 SERIES, EP33 SERIES,
EP34 SERIES, EP36 SERIES,
EP44 SERIES, EP46 SERIES
- ECOSLIM
ES22 SERIES, ES24 SERIES,
ES26 SERIES, ES33 SERIES,
ES34 SERIES, ES36 SERIES,
ES44 SERIES, ES46 SERIES



- NOTES:
1. ALL FIXTURES 24V DC ONLY.
 2. JUNCTION BOX ATTACHED TO EACH FIXTURE:
WIRE SIZE: 18 AWG STRANDED
WIRE COLORS:
RED (+) (POSITIVE)
BLACK (-) (NEGATIVE)
 3. SEE ALSO WIRE SIZING CHART.
 4. USE OF SKY FACTORY APPROVED DIMMING SYSTEM ONLY!
CONTACT THE SKY FACTORY IF YOU PLAN ON USING A
DIMMING SYSTEM PROVIDED BY OTHERS.
 5. HLG-480H-248 AND HLG-600H-248 HAVE TWO SETS OF
OUTPUT LEADS. MEANWELL RECOMMENDS LOADING NO MORE THAN
240 WATTS ON EACH SET OF CABLES FOR HLG-480H-248
480 WATTS ON EACH SET OF CABLES FOR HLG-600H-248
- NOTICE: DIMMING USING NON-APPROVED SYSTEMS
MAY PERMANENTLY DAMAGE LED'S AND WILL
VOID THE WARRANTY!



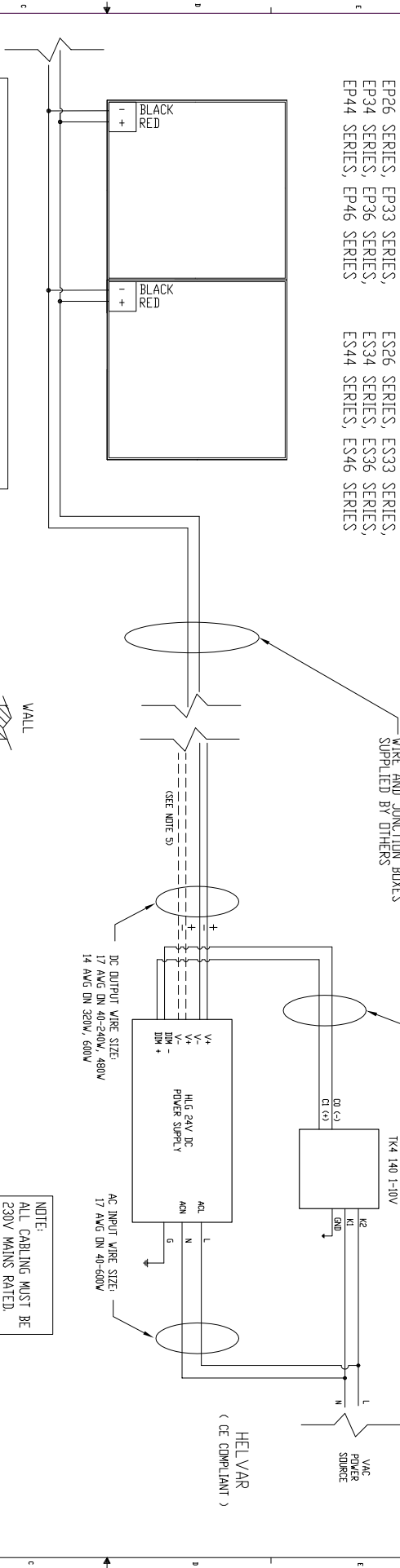
WIRE AND JUNCTION BOXES
(SEE NOTE 5)



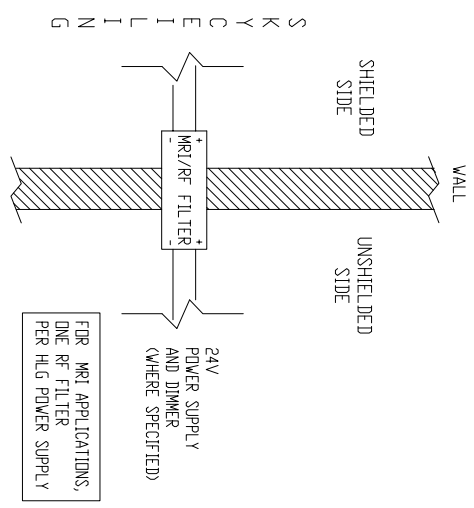
TITLE: ELEC 180 DATE: 11/18/18	DRAWN BY: JRM CHECKED BY: JRM
PROJECT: 1801180	SHEET: 1 OF 1

EP AND ES SERIES FIXTURES
WITH HLG POWER SUPPLY
DIMMING OPTION

- ECOPPLUS
EP22 SERIES, EP24 SERIES,
EP26 SERIES, EP33 SERIES,
EP34 SERIES, EP36 SERIES,
EP44 SERIES, EP46 SERIES
- ECOSLIM
ES22 SERIES, ES24 SERIES,
ES26 SERIES, ES33 SERIES,
ES34 SERIES, ES36 SERIES,
ES44 SERIES, ES46 SERIES



- NOTES:
1. ALL FIXTURES 24V DC ONLY,
WIRE SIZE 18 AWG STRANDED
 2. JUNCTION BOX ATTACHED TO EACH FIXTURE:
WIRE COLORS:
RED (+) (POSITIVE)
BLACK (-) (NEGATIVE)
 3. SEE ALSO WIRE SIZING CHART
 4. USE OF SKY FACTORY APPROVED DIMMING SYSTEM ONLY!
CONTACT THE SKY FACTORY IF YOU PLAN ON USING A
DIMMING SYSTEM PROVIDED BY OTHERS.
 5. HLG-480H-24B AND HLG-600H-24B HAVE TWO SETS OF
OUTPUT LEADS. MEANWELL RECOMMENDS LOADING NO MORE THAN
240 WATTS ON EACH SET OF CABLES FOR HLG-480H-24B
480 WATTS ON EACH SET OF CABLES FOR HLG-600H-24B
- NOTICE: DIMMING USING NON-APPROVED SYSTEMS
MAY PERMANENTLY DAMAGE LED'S AND WILL
VOID THE WARRANTY!



NOTE:
ALL CABLING MUST BE
230V MAINS RATED.

REFERENCE NO. SKYFACTORY-EP-ES-DIMMING-01 DATE: 11/11/2019 DRAWN BY: J. B. BROWN CHECKED BY: J. B. BROWN SCALE: N/A SHEET NO. 1 OF 1	TITLE: EP AND ES SERIES FIXTURES WITH HLG POWER SUPPLY DIMMING OPTION DATE: 08/26/2019
PROJECT NO.: ELO01391 DRAWING NO.: B	PROJECT NAME: SKY FACTORY PROJECT ADDRESS: 1000 W. 10TH AVENUE, SUITE 100, DENVER, CO 80202

Wire Sizing Chart

This chart is a guideline for recommended wiring practice.

Applies to 24V DC power only, i.e. from “fixture to power supply.”

Not meant for “V AC to power supply” nor “dimmer to power supply.”

Wire sizes in AWG Conversion chart below.

Distance: Feet (Meters)	AWG for 5A	AWG for 10A	AWG for 15A
20 (6)	18	14	12
30 (9)	16	12	10
40 (12)	14	10	10
50 (15)	12	10	*
60 (18)	12	10	*
80 (24)	10	*	*
100 (30)	10	*	*

* Terminal block wire range #10 - #22 Awg.

AWG	MM
10	6.271
11	5.156
12	3.302
13	2.629
14	2.088
15	1.652
16	1.308
17	1.039
18	0.823